

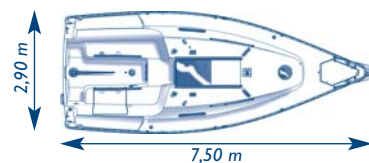
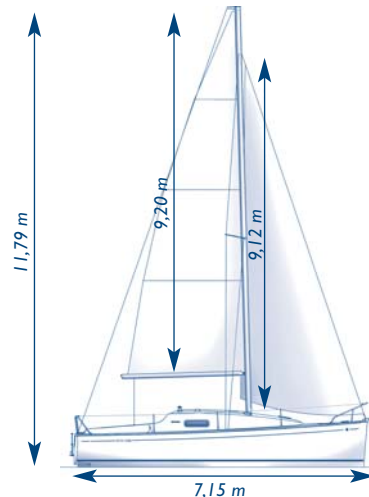
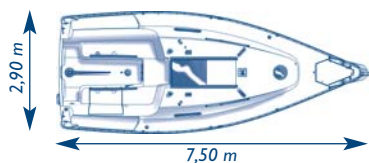
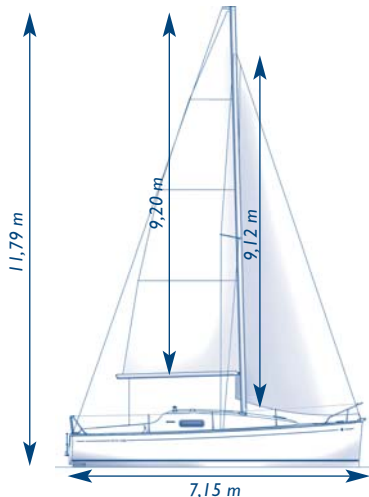
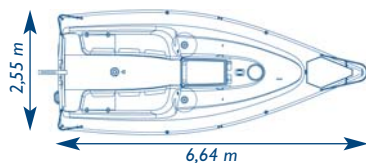
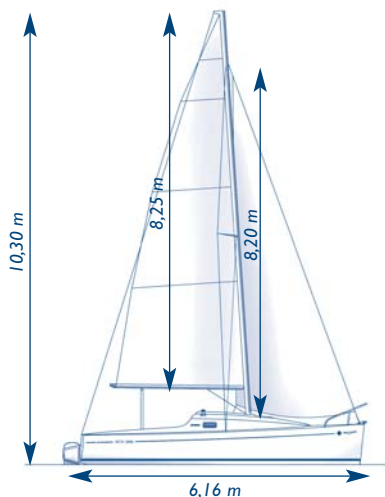
SUN 2000



SUN 2500



SUN 2500 OB



Certification conform with CE regulation.

	2000	2500	2500 OB
Overall length	6,64 m	7,50 m	7,50 m
Hull length	6,20 m	7,50 m	7,50 m
Waterline length	6,16 m	7,15 m	7,15 m
Beam	2,55 m	2,90 m	2,90 m
Displacement	1250 kg	2240 kg	2080 kg
Lifting keel epoxy coated fibreglass centreboard that completely retracts into hull, control line lead to line stopper at forward end of the cockpit	0,30-1,60 m	-	-
Lifting keel epoxy coated fibreglass centreboard that completely retracts into keel box, control line lead to line stopper on coachroof	-	0,69-1,75 m	0,69-1,75 m
Lifting keel weight	360 kg	670 kg	670 kg
Fixed keel	-	1,60 m	1,60 m
Fixed keel weight	-	500 kg	500 kg
CE category	C5	C6	C6
Architect/designer	O. Petit	O. Petit	O. Petit
Water capacity flexible water tank located under seating (for SUN 2000 water tank is included in confort version)	35 L *	56 L	56 L
Fuel rotomolded tank located in aft technical space	-	25 L	-
Holding tank (optional) rotomolded tank located in cockpit locker with valve for overboard discharge via gravity and deck fitting for pump out	-	50 L	50 L
Fridge fibreglass fridge compartment with vertical access under the chart table	-	50 L	50 L

Sails	2000	2500	2500 OB
Classic mainsail polyester sailcloth and 2 reef points with reef lines	14,1 m ²	16,6 m ²	16,6 m ²
Furling genoa 100% polyester sailcloth	9 m ²	13,5 m ²	13,5 m ²
Asymmetrical spinnaker for bowsprit (optional)	32 m ²	36 m ²	36 m ²
Total sail area for standard mast and sails	23,1 m ²	30,1 m ²	30,1 m ²

Sail Handling	2000	2500	2500 OB
Winches 2 x Harken 8 winches for genoa and halyards	■	-	-
Winches 2 x Harken 16.1 self-tailing winches for genoa and halyards	-	■	■
Genoa tracks adjustable lead cars and Harken turning blocks	-	■	■
Winch handle	■	■	■
Line jammers Spinlock, on coachroof	-	■	■
Mainsheet block and tackle attached to padeye in cockpit for easy use and can be removed when in port	■	■	■
Asymmetrical spinnaker gear with bowsprit halyard, 2 sheets, tack line lead forward on deck, 4 blocks	□	□	□

■ Standard □ Option - Not available * Comfort version

		2000	2500	2500 OB	
Mast and Rigging	Classic mast aluminium with single spreaders, deck-stepped	■	■	■	
	Mast stepping kit hinged mast step and support bar for easy mast stepping	□	-	-	
	Standing rigging stainless steel wire	■	■	■	
	Backstay adjustable via block and tackle system	■	■	■	
	Genoa furler Facnor® furler with attachment to stemhead fitting and furling line lead aft to roof winch	■	■	■	
	Running rigging polyester mainsail halyard, genoa halyard, mainsheet, genoa sheets	■	■	■	
	Mainsail cover in Sunbrella® Captain Navy	□	□	□	
	Boom topping lift	-	■	■	
	Boom vang block and tackle system	■	■	■	
	Masthead light tri-colour running light	-	■	■	
Windex 15 wind indicator for masthead	-	□	□		
Cockpit & Deck Storage	Teak grabrails along cockpit seating	■	■	■	
	Cockpit locker 1 large cockpit locker to starboard under bench seat	-	■	■	
	Cockpit lockers 2 lockers under bench seats	■	-	-	
	Cockpit table removable on aluminium leg – same table as saloon table	*	■	■	
	Tiller varnished wood tiller with extension handle, folds out of the way to keep cockpit clear	■	■	■	
	Retractable rudder mounted on transom	■	-	-	
	Twin rudders with full-length stainless steel stock and protective caps for beaching	-	■	■	
	Compass bulkhead-mounted	-	■	■	
	Transom with self-bailing drains	■	■	■	
	Outboard motor bracket	■	-	■	
	Instrumentation dedicated space at forward end of the cockpit	-	■	■	
	Engine controls throttle	-	■	-	
	Swim ladder folding ladder mounted on transom	■	■	■	
Winch handle holder	■	■	■		
Anchor locker forward, room for anchor and tackle	■	■	■		
Deck	Bow and stern pulpits stainless steel	■	■	■	
	Anchor roller single roller	■	■	■	
	Lifelines single level of stainless steel lifelines with PVC coating, stainless steel stanchions	■	■	■	
	Toerail aluminium toerail with teak insert	■	■	■	
	Cleats 4 x mooring cleats forward and aft	■	■	■	
	Anchoring kit fluke anchor 10 kg with 15 meters of 8 mm chain and 23 meters of 14 mm line	□	-	-	
	Anchoring kit fluke anchor 12 kg with 18 meters of 8 mm chain and 30 meters of 14 mm line	-	□	□	
	Mooring kit 4 fenders and 4 docklines	□	□	□	
	Chainplates for legs attachment point for support legs during used for drying out	-	□	□	
Teak rails along companionway entrance	■	■	■		
Technical features and options	Construction	Deck in beige gelcoat Prisma Process® injected deck, discontinuous balsa block coring	■	-	-
		Deck in beige gelcoat hand-laid fibreglass deck, discontinuous balsa block coring, interior fibreglass deck counter mould	-	■	■
		Hull in beige gelcoat solid, hand-laid fibreglass	■	■	■
		Hull in blue gelcoat solid, hand-laid fibreglass	-	□	□
		Structure inner fibreglass grid	■	■	■
	Electrical	Flush mounted chromed brass ceiling lights	*	■	■
		12v alternator output	-	35 A	-
		Engine start battery capacity	-	70 Ah	-
		Battery 70 Ah for domestic bank	*	-	-
		Battery 70 Ah for domestic bank with 230v shore power inlet, differential breaker, one 230v plug at nav station + 12 A battery charger	-	□	□
		Battery switches for standard battery and optional battery when ordered	-	■	■
	Plumbing	Electrical panel with 12v fuses and switches	-	■	■
		Hand pump with sink in saloon	*	-	-
		Foot pump with stainless sink in galley	-	■	■
		Hand pump with fibreglass sink in head compartment	-	■	■
		Chemical toilet	□	■	■
	Engine	Manual pump marine toilet with holding tank	-	□	□
		Yanmar 1GM10 9 HP, 6.7Kw with heat exchanger, latest generation of environmentally friendly engines	-	■	-
		Recommended outboard size (not available from Jeanneau)	6 HP	-	10 HP
		Soundproofed engine compartment with engine access via opening compartment under stairs	-	■	-
Stainless steel propeller shaft 25mm diameter		-	■	-	
Fuel/water separator		-	■	-	
Muffler, air ventilation and stainless steel exhaust fitting aft		-	■	-	
Fixed 2-blade bronze propeller	-	■	-		
Folding 2-blade bronze propeller, Flex-a-fold®	-	□	-		

■ Standard □ Option - Not available * Comfort version

		2000	2500	2500 OB
Interior features and options	Wood interior with solid wood trim around galley, companionway and cabinetry, finished in satin UV stabilised varnish	■	■	■
	Laminate floorboards	*	■	■
	Forward V-berth	1,90 m / 1,40 m	2 x 2,60 m / 0,60 m	2 x 2,60 m / 0,60 m
	Twin berths with foam mattresses	■	■	■
	Storage lockers under berth	■	■	■
	Vinyl lining on hull	■	■	■
	Lateral wood shelving along hull	-	■	■
	Aft berth	2 x 2,00 m / 0,88 m	1,97 m / 1,43 m	1,97 m / 1,43 m
	Double berth with foam mattress and storage cabinetry	-	■	■
	2 x single quarter berths to either side of the cockpit	■	-	-
	Vinyl lining on hull with lateral wood shelf	■	■	■
	Head compartment accessible from saloon with sink and storage cabinet	■	■	■
	Navigation station with general electrical panel, storage in the desk and access to fridge box	-	■	■
	12v fridge with compressor under saloon seating and evaporator in insulated box under chart table	-	□	□
	CD / radio in saloon with 2 speakers in saloon	-	□	□
	Opening roof ports on each side of coachroof for ventilation	■	■	■
	Opening deck hatch circular, forward-facing	*	■	■
	Saloon with seating area and storage	■	■	■
	Removable wood saloon table that can also be used as a cockpit table	*	■	■
	Stainless steel compression post	■	■	■
	Filler cushion to turn forward seating into a double berth	■	□	□
	Companionway with removable starboard entry door with passive vents	■	■	■
	Fibreglass hatch cover	■	-	-
	Sliding plexiglass companionway hatch	-	■	■
	Fibreglass compartment with wood steps and housing the engine panel, ignition and pull stop	-	■	-
	Fibreglass compartment with wood steps and houses storage compartments	-	-	■
	Galley to port with laminate countertop	-	■	■
	1-burner stove	*	■	■
	Portable icebox 25 L	□	-	-
	Bottle storage	-	■	■
	cabinets for storage and dishes	-	■	■
	Headroom			
	Companionway	1,28 m	1,60 m	1,60 m
Saloon	1,28 m	1,55 m	1,55 m	
Galley	1,22 m	1,60 m	1,60 m	
Head compartment	-	1,65 m	1,65 m	

■ Standard □ Option - Not available * Comfort version

